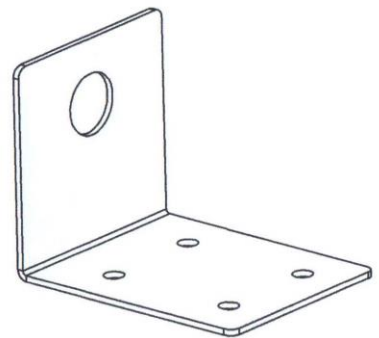
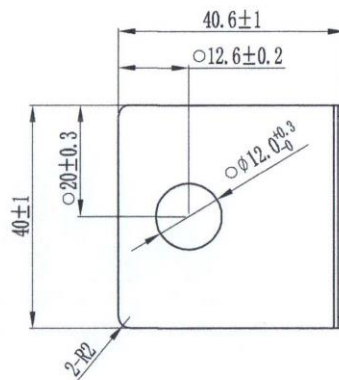
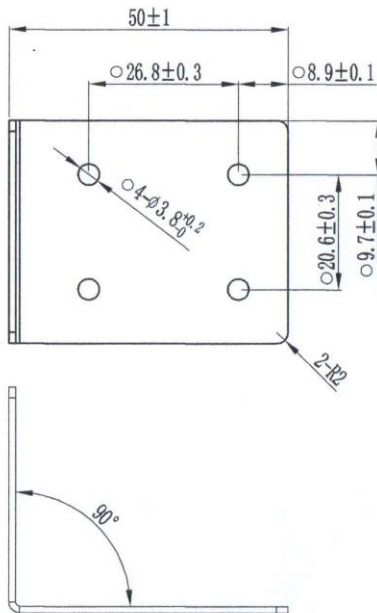


Antenna Mount L shape M12 Tree Mount

M12. Lplate



Mechanical Dimension



Antenna Mount L shape M12 Tree Mount

Specifications

Item	Specifications	
L Plate Antenna Mount	Dimension	50mm*40mm*40mm
	Antenna Mounting Hole	M12
	Plate Installation Hole	4*M3.8
	Material	Stainless Steel